

## ORDER REFERENCE

PROJECT: XX

GENERAL CONTRACTOR: -

EQUIPMENT INSTALLED BY: XX

## SPECIFICATIONS

MODEL: CABLE "DRUM"- 200

LANDINGS: 3

CODE(S): 5

CAPACITY: 500#

SPEED: AT 30 F.P.M.±4

SUSPENSION MEANS: 2 WIRE ROPES 5,600 LBS. TRACTION  
STL. STEEL 1/4" x 8 x 19 IWRC

CAR CONSTRUCTION: 3/4" HARDWOOD VENEER

NOTE: ALL MANUFACTURER SUPPLIED CAR AND EQUIPMENT OPTIONS ARE NOTED ON THE CONFIRMING ORDER SHEET.

**DISCLAIMER:** ONCE DRAWINGS HAVE BEEN APPROVED, SIGNED AND WITHIN 5 DAYS OF PRODUCTION, THE CUSTOMER WILL BEAR ALL RESPONSIBILITY AND LIABILITY OF FINISHED UNIT.

PLEASE REFER ANY QUESTION TO YOUR SALES REPRESENTATIVE

APPROVED

UNAPPROVED

\_\_\_\_\_  
SIGNATURE

\_\_\_\_\_  
DATE

DWG VIEW COVER SHEET		PART NUMBER 80205322			REV.DATE -	
DRAWING TITLE WD-500# ADJACENT		DRAWING NO. -			-	
PAGE: 1/4	DRAWN BY: D.LUCASSEN	DWG. DATE 01/03/07	JOB OR APP.# -	DEALER P.O.# -	DWG. SCALE 1:24	REV.LEVEL(1-3) -

LANDING CONTROLLER  
(18"Wx6"Dx18"H) FIELD  
LOCATE TO MEET N.E.C.  
AND/OR LOCAL CODES

2"x12" PLANK  
& GUIDE RAIL  
—SEE DETAIL

2"x12" PLANKS SECURED TO WALL  
FOR SHEAVE ANCHORAGE

HOISTING MACHINE  
24"Wx30"Dx20"H  
LN- 500#

HANDRAIL: 42"  
10 POST GATE

48"  
FINISHED HATCH

36"  
DOOR

38"  
CAR

33 1/4" ±  
CLEAR

"ELEVETTE" 200

38"Dx52"Wx7'-0"H

CODE(S) 5

STABILIZING ROLLERS  
& 1/4"x2"x2" ANGLE

DOOR INTERLOCK  
CALL STATION 42" C  
ABOVE FINISHED FLOOR

3'-6"  
MIN.

2'-6"  
MIN.

MACHINE ROOM ACCESS  
DOOR LATCH AND LOCK  
FIELD LOCATE BY G.C.

MACHINE ROOM LIGHT

120v. 20 AMP SERVICE  
OUTLET w. G.F.I. BY  
OTHERS

PHONE SERVICE  
BY OTHERS

NOTE:  
2" RUNNING CLEARANCE  
MUST BE REDUCED TO  
1/2" MIN./1 1/2" MAX.  
AT THE LANDING LEVELS.

NOTE:  
ALL HOISTWAY CONSTRUCTION MUST COMPLY WITH NATIONAL, STATE,  
AND LOCAL  
CODES. HOISTWAY MUST BE PLUMB AND STRAIGHT FROM TOP TO  
BOTTOM WITH NO PROJECTIONS INTO THE HOISTWAY.

NOTE:  
G.C. TO BUILD OUT HOISTWAY  
AS NEEDED TO MAINTAIN 3"  
REQUIRED FOR STABILIZER.

**NOTICE TO ELECTRICAL CONTRACTOR:**

- ALL ELECTRICAL WIRING MUST BE DONE BY A JOURNEYMAN MECHANIC AND MUST MEET ALL NATIONAL, STATE, AND LOCAL CODES.
- BRING (3) #10 W/GND FROM RESIDENCE INCOMING POWER PANEL 30AMP BREAKER(240V, NEUTRAL, GROUND) TO THE MACHINE ROOM.
- BRING (2) #12 W/GND FROM RESIDENCE INCOMING POWER PANEL 20AMP GFI BREAKER(120V, NEUTRAL, GROUND) TO THE MACHINE ROOM.
- REQUIRED LOW VOLTAGE WIRING IS SUPPLIED BY MANUFACTURER. ALL EXTENSIONS ADDITIONS, ETC. SHALL BE DONE WITH THE SAME SIZE AND TYPE OF WIRE AS ORIGINALLY SUPPLIED BY THE MANUFACTURER.
- A TELEPHONE LINE SHALL BE SUPPLIED TO THE MACHINE ROOM AND SHALL BE CONNECTED TO A 24 HOUR CENTRAL EXCHANGE.
- ALL MEANS FOR ACCESS TO EQUIPMENT SHALL BE PROVIDED WITH A LOCK. ALL SHAFT DOORS MUST BE INTERLOCKED.

DWG VIEW

HOISTWAY LAYOUT

PART NUMBER

80205322

REV. DATE

**INCLINATOR**  
COMPANY OF AMERICA  
HARRISBURG, PA

DRAWING TITLE

WD-500# ADJACENT

DRAWING NO.

-

-

-

PAGE:  
2/4

DRAWN BY:  
D.LUCASSEN

DWG. DATE  
01/03/07

JOB OR APP.#  
-

DEALER P.O.#  
-

DWG. SCALE  
1:24

REV. LEVEL(1-3)  
-

8'-0"  
OVERHEAD

27'-2"  
RAIL  
LENGTH

2ND

22'-0"  
TRAVEL

1ST

DOOR INTERLOCK

BSMT

6" MIN. PIT

2"x12" PLANK PLUMB AND SQUARE  
IS SECURED w/(2) 3/8"x5" LAGS  
2'-0" O.C. AT EDGES. COUNTER-  
BORE LAGS.

GUIDE RAIL

FLAT BRACKET SHEAVE

2"x12" PLANKS FOR  
SHEAVE ANCHORAGE

6'-4" MIN. FROM  
DRUM TO SHEAVE

NOTE: WHEN MOUNTING CIRCUIT BREAKER  
BOX, ANGLE OF "CHAIN" NEEDS TO BE  
BETWEEN 20° AND 60°

LANDING CONTROLLER

240v. 1ph. SLACK CABLE  
BREAKER DISCONNECT  
SWITCH

SLACK CABLE ROLLER

GEARBOX WITH SOUNDBASE MUST BE  
MOUNTED WITH MIN. (8-10) 1/2"  
FASTENERS, MIN. PULLOUT 5,000#

6" MIN. 3000 PSI REBAR  
REINFORCED CONCRETE  
#4 AT 12" O.C. EACH WAY

DWG VIEW

SECTION A-A

PART NUMBER

80205322

REV. DATE

DRAWING TITLE

DRAWING NO.

WD-500# ADJACENT

DRAWN BY:

DWG. DATE

JOB OR APP.#

DEALER P.O.#

DWG. SCALE

REV. LEVEL(1-3)

PAGE:

3/4

D.LUCASSEN

01/03/07

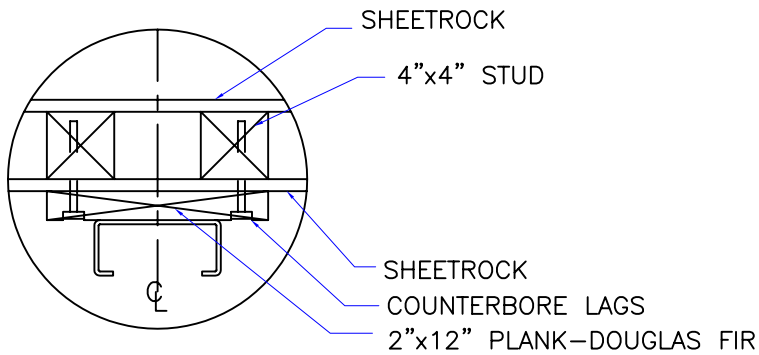
-

-

1:24

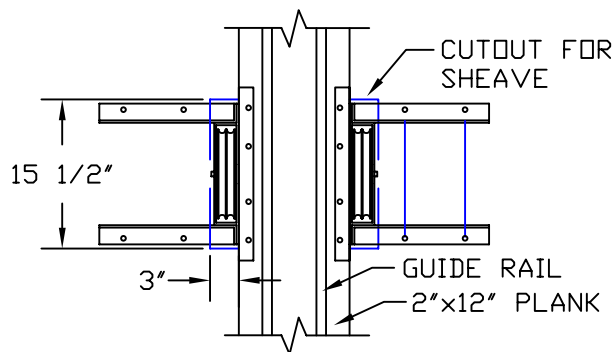
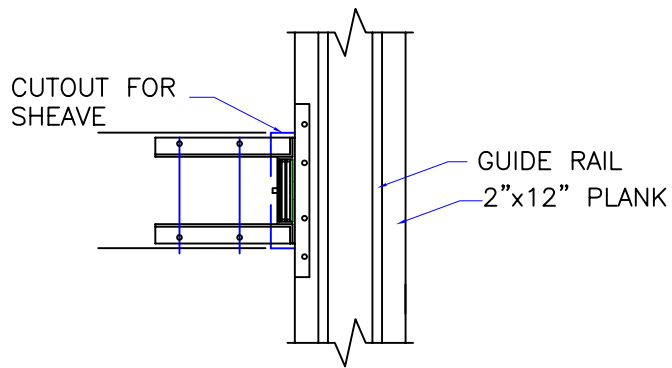
-



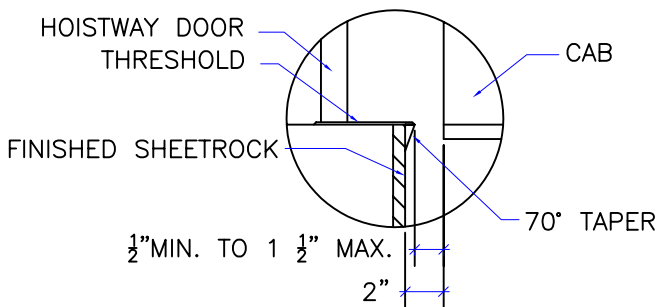


NOTE:  
WHEN STUD AND SHEETROCK CONSTRUCTION IS USED ON THE GUIDE RAIL SUPPORT WALL 4"x4" STUDDING IS NEEDED BEHIND THE

RAIL DETAIL



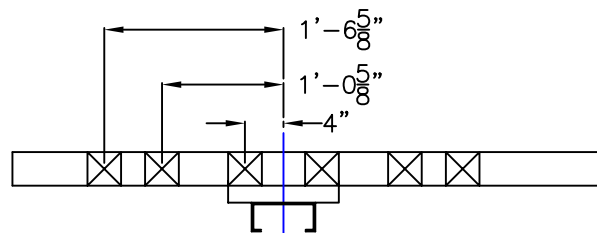
CUTOUT DETAIL  
(SINGLE / DOUBLE DRUM)  
(IF APPLIES)



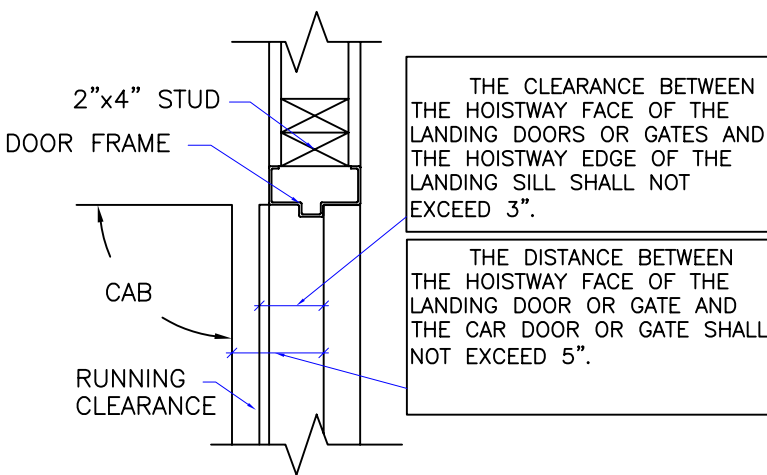
DOOR SILLS TO BE INSTALLED BY G.C. AFTER LIFT SUPPLIER HAS INSTALLED A RUNNING PLATFORM. SILL TO BE BROUGHT OUT TO NOT LESS THAN 1/2" AND NOT MORE THAN 1 1/2" TO THE RUNNING PLATFORM.

SILL DETAIL

MIRROR OPPOSITE SIDE



STUD LOCATIONS FOR THRU THE WALL SHEAVES  
(IF APPLIES)



DOOR FRAME DETAIL

1. REACTIONS ON ALL SHEAVES AND MOUNTINGS  
STATIC = 1,100 LBS.  
IMPACT = 2,200 LBS.
2. FASTENING OF HOISTING MACHINE TO CONCRETE  
1/2 "X 3" HILTI BOLTS (OR EQUAL)
3. RAIL FASTENING TO 2"x12" PLANK  
#14 x 1 3/4" TYPE A S.M.S. RAIL IS PRE-DRILLED AT FACTORY.
4. BOLT FASTENING OF CAR TO TROLLEY  
1/2" - 13 x 4" SOCKET HD CAP SCREWS

TECHNICAL DATA

DWG VIEW  
DETAILS, DATA, CODES

PART NUMBER  
80205322

REV.DATE

**INCLINATOR**  
COMPANY OF AMERICA  
HARRISBURG, PA

DRAWING TITLE  
WD-500# ADJACENT

DRAWING NO.

—  
—  
—

PAGE: 4/4	DRAWN BY: D.LUCASSEN	DWG. DATE 01/03/07	JOB OR APP.# —	DEALER P.O.# —	DWG. SCALE 1:24	REV.LEVEL(1-3) —
--------------	-------------------------	-----------------------	-------------------	-------------------	--------------------	---------------------